

Worksheet-12

1. Choose the correct option (MCQ's) :

(i) $700 + 90 + 2$ is equal to

(a) 729

(b) 792

(c) 279

(ii) $400 + 50 + 1$ is equal to

(a) 145

(b) 154

(c) 451

(iii) 684 is equal to

(a) $600 + 40 + 8$

(b) $600 + 80 + 4$

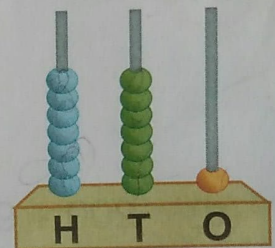
(c) $400 + 60 + 8$

2. Write in the short form :

(a) $700 + 70 + 1 =$

771

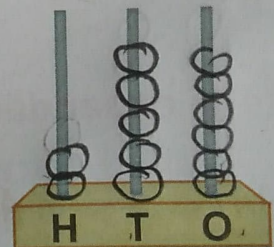
=



(b) $200 + 50 + 6 =$

256

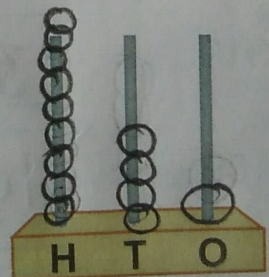
=



(c) $900 + 40 + 1 =$

941

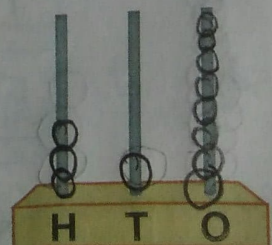
=



(d) $300 + 10 + 8 =$

318

=



Teacher's Signature : _____

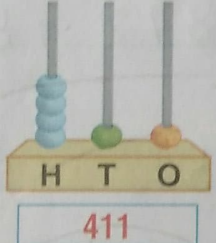
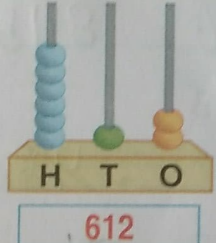
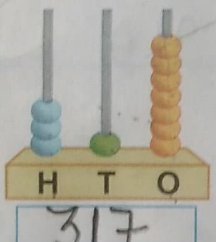
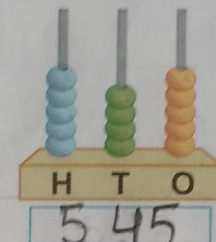
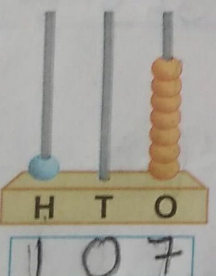
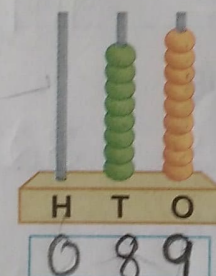
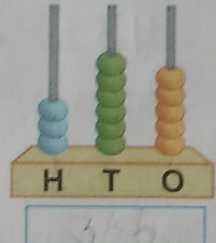
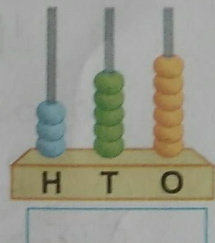
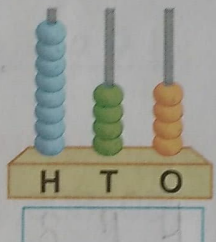
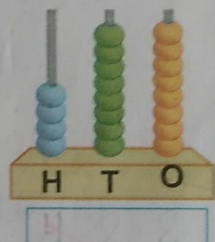
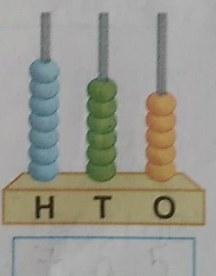
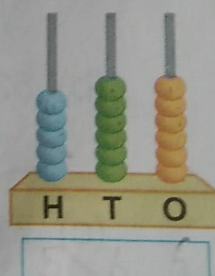
Worksheet-13

1. Fill in the boxes with $<$ or $>$:

- | | |
|--|--|
| (a) 347 $<$ 672
(c) 496 $<$ 612
(e) 502 604
(g) 221 261 | (b) 127 $<$ 172
(d) 312 $>$ 216
(f) 181 $>$ 118
(h) 642 $>$ 499 |
|--|--|



2. Mark $>$ or $<$ in the following :

(a)  $<$  (b)  $<$  (c)  $>$ 	(d)  $>$  (e)  $>$  (f)  $>$ 
--	---

3. Write the place value and face value of the underlined digit of the following number.

- | | |
|---|--|
| (a) ^{HTO} 6 <u>7</u> 1 = Place Value = 70
(b) 38 <u>4</u> ^{HTO} 4x1=4 Place Value = 4
(c) <u>1</u> 29 ^{HTO} 1x100=100 Place Value = 100
(d) 6 <u>4</u> 5 = Place Value = 40 | Face Value = 7
Face Value = 4
Face Value = 1
Face Value = 4 |
|---|--|



4x10

Teacher's Signature : _____

15/5/21

Sub - M. Math
Worksheet - 13

H.W

* Write the place value and face value of the underlined digits.

		Place Value	face value
1.	22 <u>5</u>	5 ones = 5	5
2	1 <u>6</u> 5	6 tens = 60	6
3	<u>3</u> 77	3 Hundred = 300	3
4	3 <u>8</u> 7		
5	7 <u>6</u> 9		
6	<u>8</u> 77		
7	2 <u>7</u> 2		
8	7 <u>6</u> 1		
9	9 <u>6</u> 8		
10	<u>3</u> 97		